

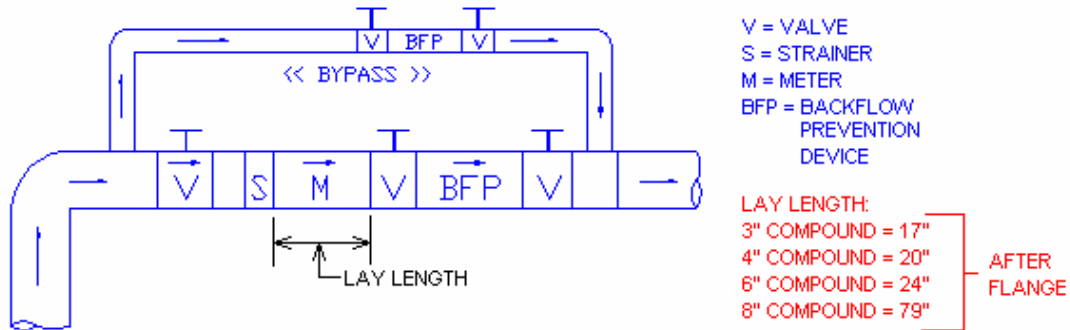


Valparaiso City Utilities

205 Billings Street
Valparaiso, Indiana 46383-3699

"Water is our Most Valuable Natural Resource"

COMPOUND METER - 3" thru 8" METER ASSEMBLIES



- ◆ Pressure reducing valves, if implemented, must be **AFTER** meter.
- ◆ Gate valves must be OSY (outside screw and yoke) or NRS (non-rising stem) or RSW (resilient seat wedge) gate valves.
- ◆ Ball valves must be QT Teflon-coated BRONZE or BRASS
- ◆ No knife or wafer valves will be allowed.
- ◆ Bypass is required and must be no smaller than 1/2 the diameter of the meter size.
- ◆ Bypass must be protected with a BFP.
- ◆ All meter and backflow preventors must be mounted HORIZONTALLY.
- ◆ Meter Clearance:
 - Height: 24"
 - Width: 6"
 - Length: not to exceed SPECS on valve assembly
- ◆ Bypass must be installed around the meter and BFP device.
- ◆ All compound meter assemblies come with Face-To-Face Flange Assemblies.
- ◆ Maximum inside pressures to be 70 PSI.
- ◆ BFP Type determined by degree of hazard by Valparaiso Water Department.

For additional information, visit our website at www.valparaisoutilities.org and click on Builder Assistance under Quick Access.