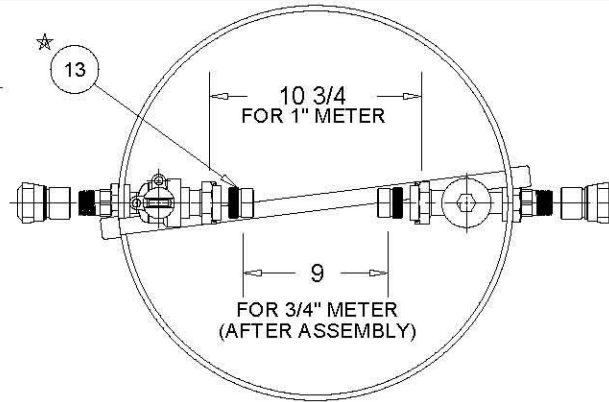
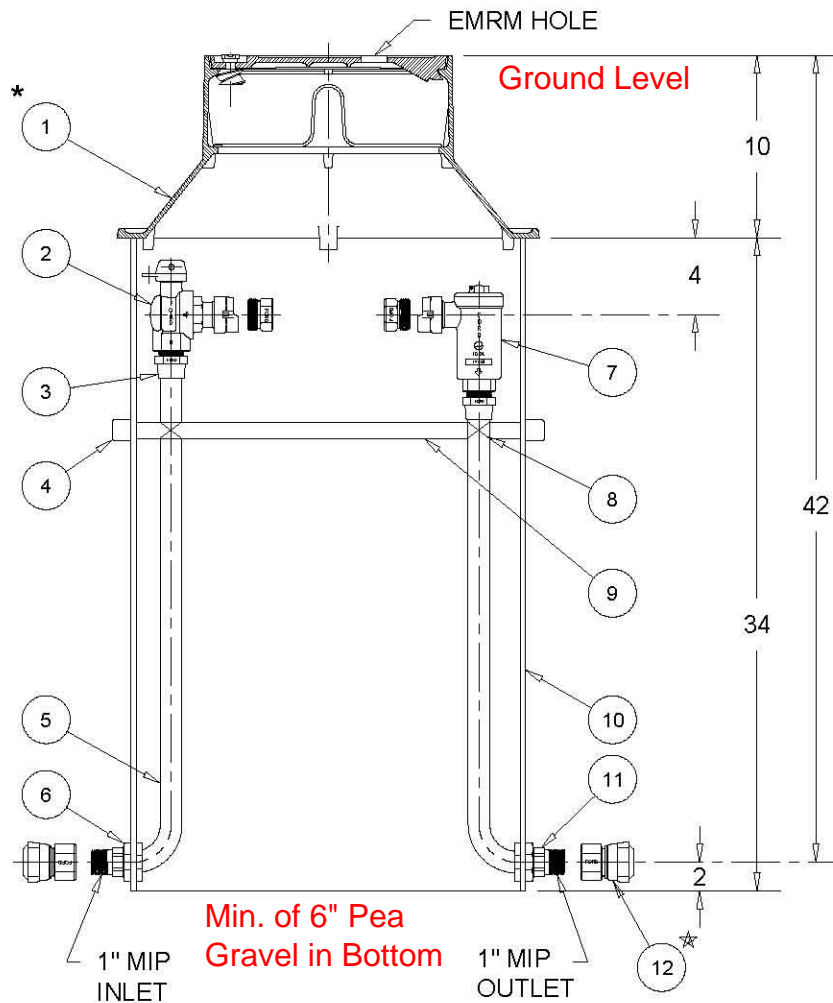



# A-C10804-01



ITEM	DESCRIPTION	QTY.	DWG. OR P/N
* 1	METER BOX COVER W/EMRM	1	W3-T
2	ANGLE BALL VALVE	1	BA13-444W
3	SOLDER BUSHING	2	CS8-44
4	1/2" PVC CAP	2	050405
5	1 1/8 OD COPPER TUBE	2	
6	LOCK NUT	2	NOLN-1-02
7	ANGLE DUAL CART CHK VL 	1	HHCA31-444
8	PLASTIC TIE	2	300370
9	1/2" PVC BRACE BAR	1	PS-BB-20
10	20" ID PVC TILE	1	PVC-20X240-34
11	INLET/OUTLET PIECE	2	B-32009-01
12	COUPLING	2	C14-44-Q
13	ADAPTERS	1/PR	A34

\* SOLD SEPARATELY  
 ☆ SHIPPED UNASSEMBLED

## PDBHC-444-C1080401

**MATERIAL:**

CAST GRAY IRON,  
 ASTM A48-94, CLASS 25

ALL BRASS OF  
 85-5-5-5 RED BRASS  
 UNS C83600  
 AWWA C800-05  
 ASTM B62-02

**NOTE:** The curb box (or shut-off box) location must be outside of pit

ANGULAR	± N/A			<b>ASSY.</b> 20" PIT SETTER, 1" OR 3/4" METER, W/EMRM, 42" DEPTH
DECIMAL	± N/A			
FRACTIONAL	± N/A			MATERIAL
DRAWN BY		DLG	DATE	DRAWING NO.
CHK'D BY		RLR	2-21-06	A-10804-01
TOLERANCE (Except as Noted)		SCALE	1/10=1	CIDS# 10804
<b>THE FORD METER BOX CO., INC.</b> Wabash, Indiana 46992, U.S.A.				

REV.	DATE	DESCRIPTION	BY